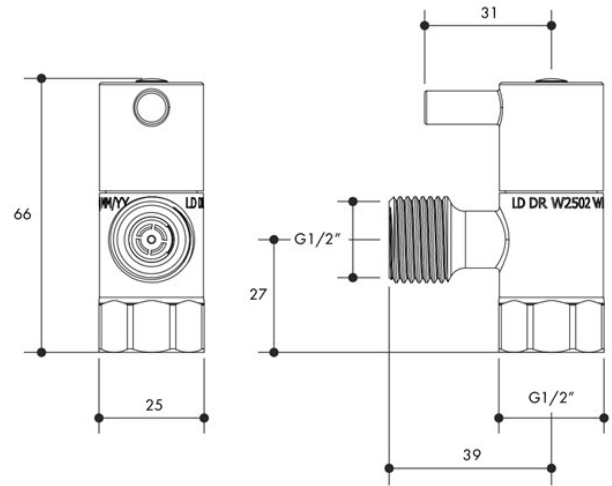


LH15CMB

Product Specifications

Cistern Stop Lever Matte Black 1/4 Turn With Ceramic Disc



Unit is shipped in 1 per box

FEATURES

- Check Valve:** Yes
- Finish:** Matte Black
- Metal Type:** DZR Brass
- Original Ceramic Disc :** Yes

SPECIFICATIONS

Maximum Water Pressure (KPa): 1000

WARRANTY

12 months on Product or Parts

1300 780 430

www.austworld.com.au

Austworld Commodities Pty Ltd ABN: 88 374 217 957 ACN: 88 374 217 957

This information must only be used for accessing a products suitability for your specific application. The information remains the intellectual property of Austworld and must not be used or reproduced for any other purpose without Austworld's prior written permission.