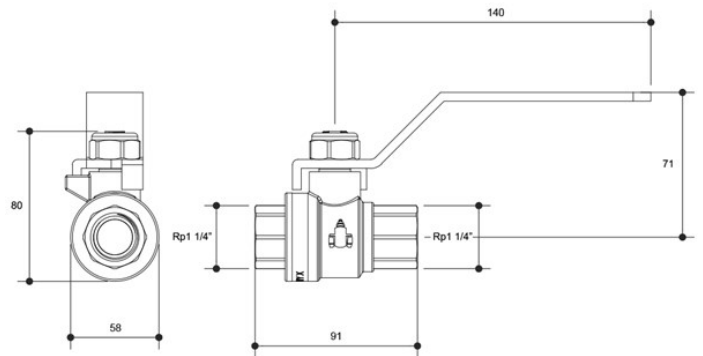


GBV32

Product Specifications

AGA Approved Ball Valve Lever Handle FI X FI 32MM



Unit is shipped in 1 per box

FEATURES

- AGA_Aproved:** Yes
- Finish:** Nickel Plated
- Full Bore:** Yes
- Metal Type:** Common Brass

SPECIFICATIONS

- Gas Working Temperature °C:** 1 to 120
- Maximum Gas Pressure (KPa):** 2100

WARRANTY

12 months on Product or Parts

1300 780 430
www.austworld.com.au

Austworld Commodities Pty Ltd ABN: 88 374 217 957 ACN: 88 374 217 957

This information must only be used for accessing a products suitability for your specific application. The information remains the intellectual property of Austworld and must not be used or reproduced for any other purpose without Austworld's prior written permission.